

U-JIN[®]

Head Office :

504 Hanaro Plaza, 2033 Daehwa-Dong, Ilsan-Ku, Koyang-Si, Kyungki-Do, Korea/TEL:(031)917-8351~3/FAX:(031)917-8355/E-mail:ujin001@ujin-led.co.kr

Overseas Factory: Plot#61, Sector#7, Export Processing Zone, Chitagong, Bangladesh / TEL:(31)740050/FAX:(31)740038/E-mail:ujinbd@spnetctg.com

ULP-MOV67D

Unit :mm
Tolerance :±0.25

5.0mm Bi-color(Multi-color) with common cathode.

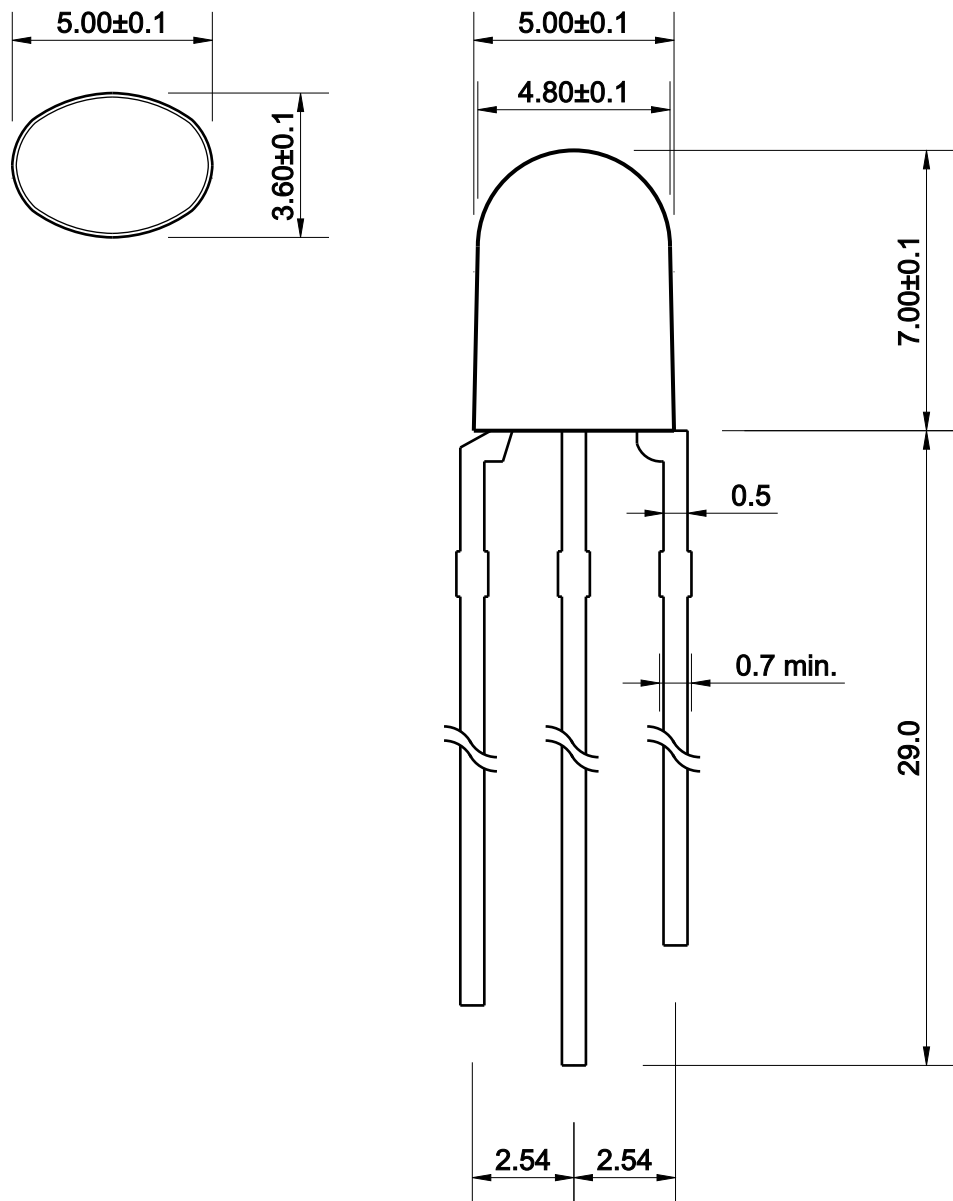
■ Features

- ▷ Two chips are matched for uniform light output, wide viewing angle.
- ▷ Long life-solid state reliability.
- ▷ IC compatible / Low power consumption

■ Applications

- ▷ TV set
- ▷ Monitor
- ▷ Telephone
- ▷ Computer

■ Outline Dimensions



■ Notes

1. All dimensions are in millimeters
2. Tolerances unless dimension ± 0.25 mm

