

# IR LED LAMP SPECIFICATION

Drawn by	Checked by	Approved by

Rev. 0.0



**Head Office** : 48-40, Gamnae-gil, Ilsandong-gu, Goyang-si,  
Gyeonggi-do, Korea.  
TEL : 031-932-8351~3. FAX : 031-932-8355  
E-mail : info@ujin-led.co.kr

**Overseas Factory** : Plot#61, Sector#7 Export Processing Zone,  
Chittagong, Bangladesh.  
TEL : (880)31-74-0050 FAX : (880)31-74-0038

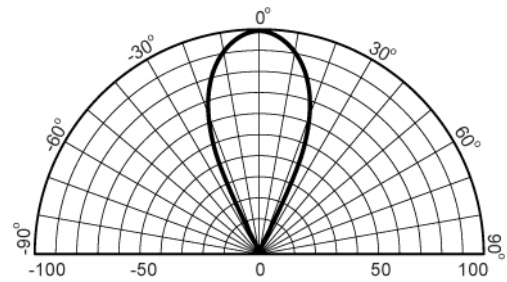


**Head Office** : 48-40, Gamnae-gil, Ilsandong-gu, Goyang-si, Gyeonggi-do, Korea  
 TEL : 031-932-8351~3 FAX : 031-932-8355 E-mail : info@ujin-led.co.kr  
**Overseas Factory** : Plot#61, Sector#7 Export Processing Zone, Chittagong, Bangladesh  
 TEL : (880)31-74-0050 FAX : (880)31-74-0038

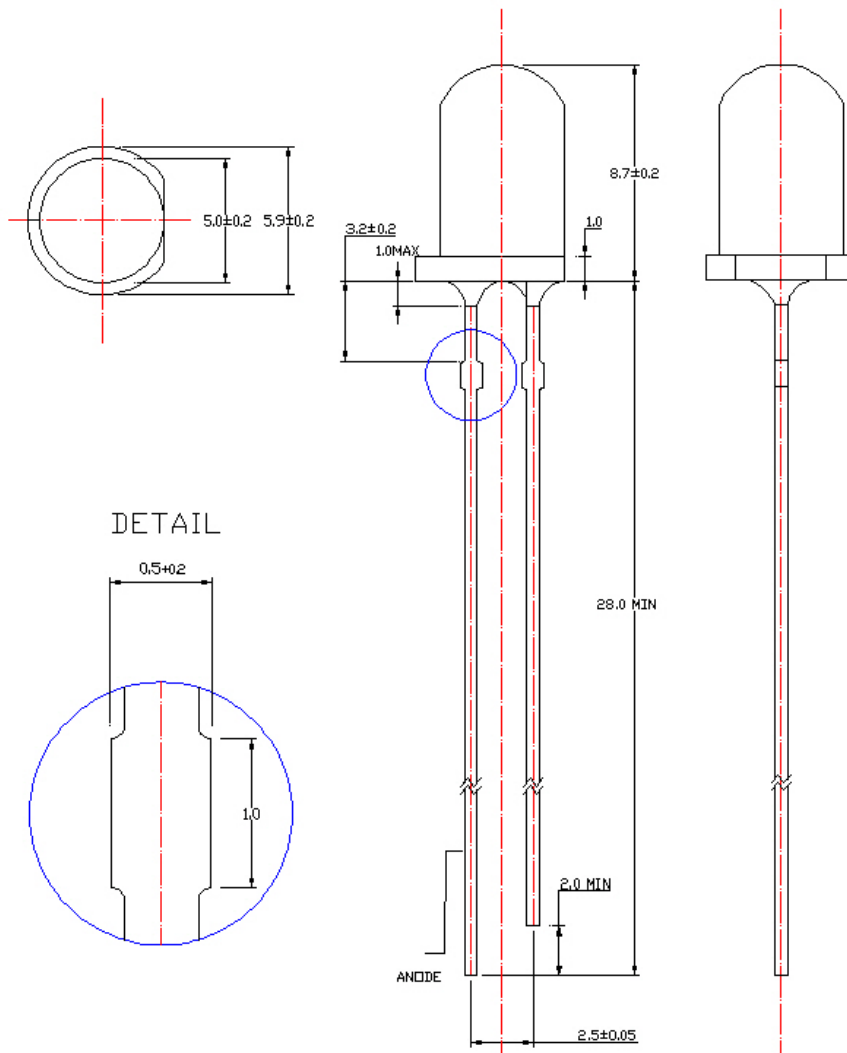
## ULI-74037A-45BN

### 1. Features

- GaAlAs/GaAs infrared LED
- 5.0mm round top lamp.
- Water clear epoxy molding type.
- Viewing angle 45°.
- Fast response time.
- Pb free
- This product itself will remain RoHS compliance.



### 2. Dimension





**Head Office** : 48-40, Gamnae-gil, Ilsandong-gu, Goyang-si, Gyeonggi-do, Korea  
 TEL : 031-932-8351~3 FAX : 031-932-8355 E-mail : info@ujin-led.co.kr  
**Overseas Factory** : Plot#61, Sector#7 Export Processing Zone, Chittagong, Bangladesh  
 TEL : (880)31-74-0050 FAX : (880)31-74-0038

## ULI-74037A-45BN

### 3. Applications.

- Infrared applied system
- License Plate recognize (LPR)
- CCTV system

### 4. Absolute maximum ratings (Ta=25°C)

Parameter	Sym	Rating	Unit
Forward Current	IF	50	mA
Reverse Voltage	VR	5	V
Power Dissipation	PD	120	mW
Peak Pulsed forward current	IPF	500	mA
Operation Temp	Topg	-35 ~ + 85	°C
Storage Temp	Tstg	-40 ~ +100	°C

Pulse forward condition : Duty ratio =1%, Pulse width = 10us.

### 5. Optoelectronic characteristics (Ta=25°C)

Parameter	Sym	Condition	Min	Typ	Max	Unit
Forward Voltage	VF	IF = 50mA	1.6		2.4	V
Reverse Current	IR	VR = 5V			10	μA
Peak wave length	λP	IF = 50mA		740		nm
Line half width	Δλ	"		35		nm
Rise time	Tr	"		40		ns
Rise fall	Tf			30		ns
Radiant Intensity	IE	IF = 20mA		75		mW/sr
		IF = 50mA		120		

### 6. Soldering conditions

Soldering Temp ≤ 260°C  
 Soldering Time : 3 sec at location 2.0mm away from the base of the epoxy bulb.

### 7. Reliability Test

Test Item	Test Conditions	Note	Number of Damaged
Steady State Operating Life	Ta = 25°C IF=50mA	1000hrs	0/20
Steady State Operating Life of Low Temperature	Ta=-35°C, IF=50mA	240hrs	0/20
Steady State Operating Life of High Temperature	Ta=85°C, IF=50mA	240hrs	0/20
Resistance to soldering Heat	Tsld=260 ± 5°C, 10sec. 3mm from the base of the epoxy bulb	1 time	0/10
Temperature Cycle	Ta = -40°C ~ 100°C (1 Cycle = 1hr)	100 cycles	0/20



**Head Office** : 48-40, Gamnae-gil, Ilsandong-gu, Goyang-si, Gyeonggi-do, Korea  
 TEL : 031-932-8351~3 FAX : 031-932-8355 E-mail : info@ujin-led.co.kr  
**Overseas Factory** : Plot#61, Sector#7 Export Processing Zone, Chittagong, Bangladesh  
 TEL : (880)31-74-0050 FAX : (880)31-74-0038

## ULI-74037A-45BN

### ■ Typical Electro-Optical Characteristics Curve:

Fig 1. Forward Current vs. Forward Voltage

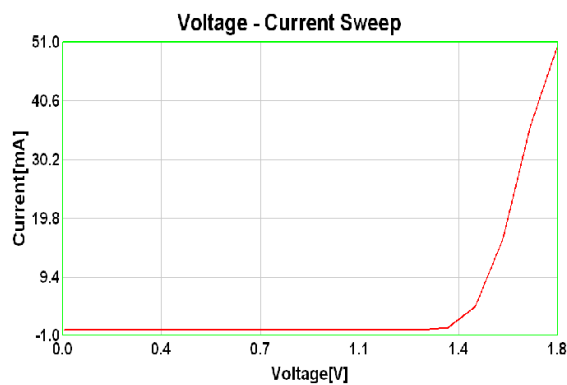


Fig 2. Relative Intensity(mW/sr) vs. Forward Current

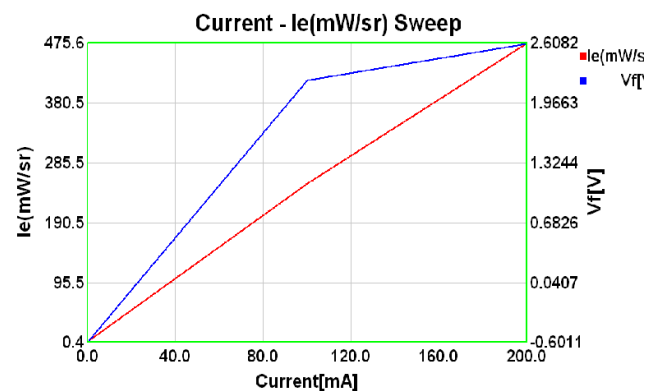


Fig 3. Relative Intensity vs. Wavelength

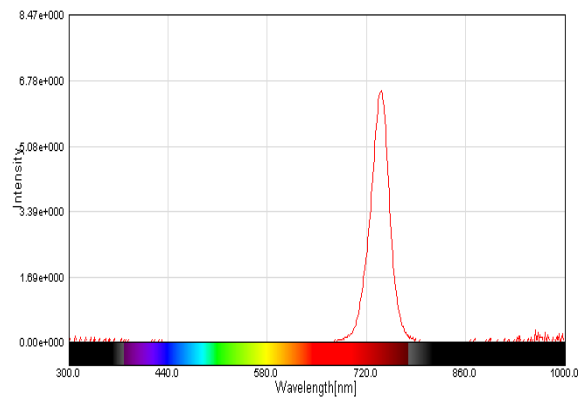


Fig 4. Forward Current vs. Temperature

