

IR LED LAMP SPECIFICATION

CONFIDENTIAL

Drawn by	Checked by	Approved by

Rev. 0.0



Head Office : 48-40, Gamnae-gil, Ilsandong-gu, Goyang-si,
Gyeonggi-do, Korea.

TEL : 031-932-8351~3. FAX : 031-932-8355

E-mail : info@ujin-led.co.kr

Overseas Factory : Plot#61, Sector#7 Export Processing Zone,
Chittagong, Bangladesh.

TEL : (880)31-74-0050 FAX : (880)31-74-0038

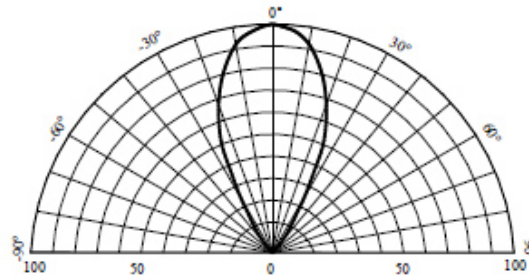


Head Office : 48-40, Gamnae-gil, Ilsandong-gu, Goyang-si, Gyeonggi-do, Korea
 TEL : 031-932-8351~3 FAX : 031-932-8355 E-mail : info@ujin-led.co.kr
Overseas Factory : Plot#61, Sector#7 Export Processing Zone, Chittagong, Bangladesh
 TEL : (880)31-74-0050 FAX : (880)31-74-0038

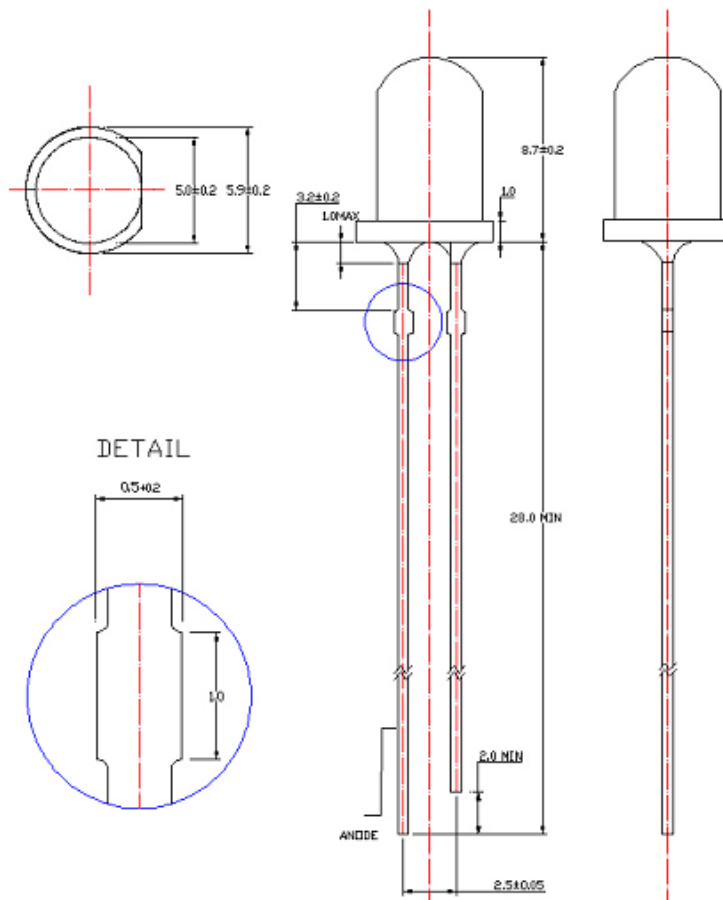
ULI-85037A-45UX

1. Features

- 3mm dia round top lamp.
- AlGaAs Infrared LED.
- Viewing angle 30°.
- Water clear epoxy-molding type.
- High reliability and long life.
- High luminous intensity.
- Pb free.



2. Dimension





Head Office : 48-40, Gamnae-gil, Ilsandong-gu, Goyang-si, Gyeonggi-do, Korea
 TEL : 031-932-8351~3 FAX : 031-932-8355 E-mail : info@ujin-led.co.kr
Overseas Factory : Plot#61, Sector#7 Export Processing Zone, Chittagong, Bangladesh
 TEL : (880)31-74-0050 FAX : (880)31-74-0038

ULI-85037A-45UX

3. Absolute ratings (Ta=25°C)

Parameter	Sym	Rating	Unit
Max Forward Current	IF	100	mA
Reverse Voltage	VR	5	V
Power Dissipation	PD	190	mW
Operation Temp	Topg	-35 ~ + 85	°C
Storage Temp	Tstg	-40 ~ +100	°C

4. Optoelectronic characteristics (Ta=25°C)

Parameter	Sym	Condition	Min	Typ	Max	Unit
Forward Voltage	VF	IF = 50mA	1.4	1.5	1.9	V
Reverse Current	IR	VR = 5V			10	μA
Peak wave length	λP	IF = 50mA		850		nm
Radiant Intensity	IE	IF = 50mA		92		mW/Sr

5. Soldering conditions

Soldering Temp : ≤ 260°C
 Soldering Time : 3 sec at location 2.0mm away from the base of the epoxy bulb.

6. Reliability Test

Test Item	Test Conditions	Note	Number of Damaged
Steady State Operating Life	Ta = 25°C IF=50mA	1000hrs	0/20
Steady State Operating Life of Low Temperature	Ta=-35°C, IF=50mA	240hrs	0/20
Steady State Operating Life of High Temperature	Ta=85°C, IF=50mA	240hrs	0/20
Resistance to soldering Heat	Tsld=260 ± 5°C, 10sec. 3mm from the base of the epoxy bulb	1 time	0/10
Temperature Cycle	Ta = -40°C ~ 100°C (1 Cycle = 1hr)	100 cycles	0/20