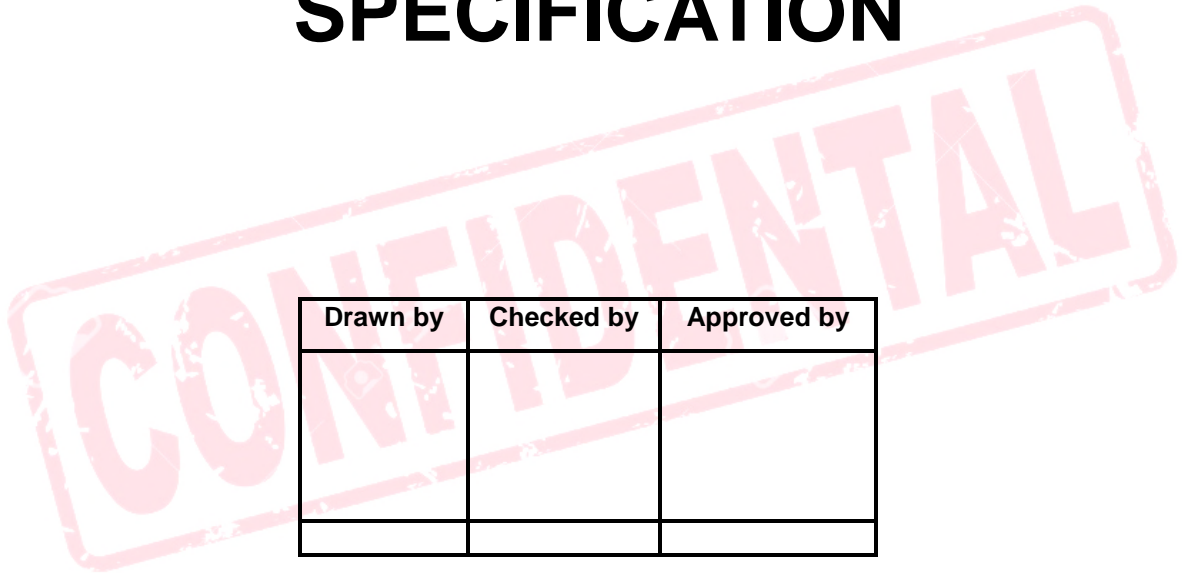


HIGH POWER IR LED SPECIFICATION



| Drawn by | Checked by | Approved by |
|----------|------------|-------------|
| | | |
| | | |

Rev. 0.0

Head Office : 48-40, Gamnae-gil, Ilsandong-gu, Goyang-si,
Gyeonggi-do, Korea.
TEL : 031-932-8351~3. FAX : 031-932-8355
E-mail : info@ujin-led.co.kr

Overseas Factory : Plot#61, Sector#7 Export Processing Zone,
Chittagong, Bangladesh.
TEL : (880)31-74-0050 FAX : (880)31-74-0038



Head Office : 48-40, Gamnae-gil, Ilsandong-gu, Goyang-si, Gyeonggi-do, Korea
TEL : 031-932-8351~3 FAX : 031-932-8355 E-mail : info@ujin-led.co.kr
Overseas Factory : Plot#61, Sector#7 Export Processing Zone, Chittagong, Bangladesh
TEL : (880)31-74-0050 FAX : (880)31-74-0038

ULISW-730SPE-120

1. Model number

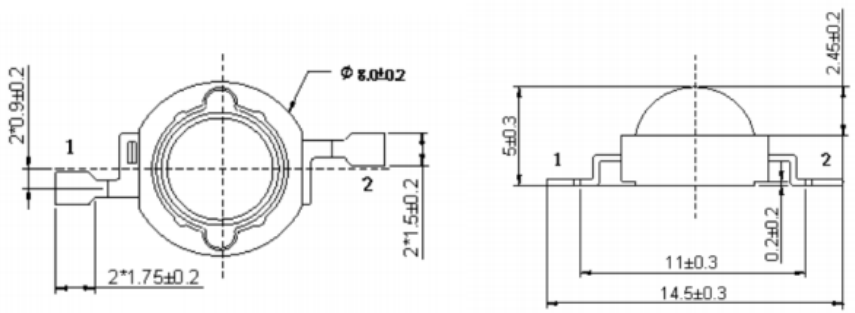
- ULISW : U-JIN Infrared LED Power series
- 730 : Wave length
- 120 : Model number-1



2. Features

- Highest Flux ultra red
- High reliability and Very long operating life
- Low voltage DC operated
- More Energy Efficient than Incandescent and most Halogen lamps
- Superior ESD protection
- RoHS Compliant

3. Dimension



- Tolerance is 0.3mm unless noted



Head Office : 48-40, Gamnae-gil, Ilsandong-gu, Goyang-si, Gyeonggi-do, Korea
 TEL : 031-932-8351~3 FAX : 031-932-8355 E-mail : info@ujin-led.co.kr
Overseas Factory : Plot#61, Sector#7 Export Processing Zone, Chittagong, Bangladesh
 TEL : (880)31-74-0050 FAX : (880)31-74-0038

ULISW-730SPE -120

4. Absolute maximum ratings (Ta = 25°C)

| Parameter | Symbol | Test Condition | Value | | Unit |
|-----------------------------|----------|------------------|-----------------------|------|------|
| | | | Min. | Max. | |
| Continuous Forward Current | IF | - | - | 700 | mA |
| Peak Forward Current | IF(Peak) | Duty=0.1ms, 1kHz | - | 1000 | mA |
| Power Dissipation | Pd | - | - | 1.4 | W |
| LED Junction Temperature | Tj | - | - | 120 | °C |
| Operating Temperature Range | Topr | - | -30 | +80 | °C |
| Storage Temperature Range | Tstr | - | -40 | +100 | °C |
| ESD Sensitivity | - | HBM | 2000 | - | V |
| Soldering Temperature | - | - | 260°C for 3-5 Seconds | | |

5. Optoelectronic characteristics (Ta=25°C)

| Parameter | Symbol | Test Condition | Value | | | Unit |
|---------------------|--------|----------------|-------|------|------|------|
| | | | Min. | Typ. | Max. | |
| Forward Voltage | VF | IF = 700mA | | 1.8 | 1.9 | V |
| Radiant Flux | Φe | | 60 | | 70 | mW |
| Viewing Angle | 2θ1/2 | | | 120 | | Deg. |
| Dominant Wavelength | λd | | 725 | | 735 | nm |

6. Applications

- CCTV
- Car driving recorder
- IR Flood lighting
- All LPR system
- Analyze sample
- Vision optical science.

7. Soldering conditions

Soldering Temp ≤ 260°C
 Soldering Time : Max 5 sec
 Slug : Use a thermal adhesives.



Head Office : 48-40, Gamnae-gil, Ilsandong-gu, Goyang-si, Gyeonggi-do, Korea
TEL : 031-932-8351~3 FAX : 031-932-8355 E-mail : info@ujin-led.co.kr
Overseas Factory : Plot#61, Sector#7 Export Processing Zone, Chittagong, Bangladesh
TEL : (880)31-74-0050 FAX : (880)31-74-0038

ULISW-730SPE -120

8. Typical Electro-Optical Characteristics Curve

