

LED LAMP SPECIFICATION

2017.07.31 신규작성

CONFIDENTIAL

| Drawn by | Checked by | Approved by |
|----------|------------|-------------|
| | | |
| | | |

Rev. 0.0

U-JINLED
Lighting Your Imagination

Head Office : 48-40, Gamnae-gil, Ilsandong-gu, Goyang-si,
Gyeonggi-do, Korea.
TEL : 031-932-8351~3. FAX : 031-932-8355
E-mail : info@ujin-led.co.kr

Overseas Factory : Plot#61, Sector#7 Export Processing Zone,
Chittagong, Bangladesh.
TEL : (880)31-74-0050 FAX : (880)31-74-0038

U-JINLED

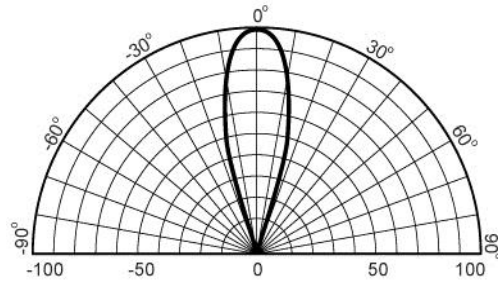
Lighting Your Imagination

Head Office : 48-40, Gamnae-gil, Ilsandong-gu, Goyang-si, Gyeonggi-do, Korea
 TEL : 031-932-8351~3 FAX : 031-932-8355 E-mail : info@ujin-led.co.kr
Overseas Factory : Plot#61, Sector#7 Export Processing Zone, Chittagong, Bangladesh
 TEL : (880)31-74-0050 FAX : (880)31-74-0038

ULP-ALR37A-30UR12

1. Features

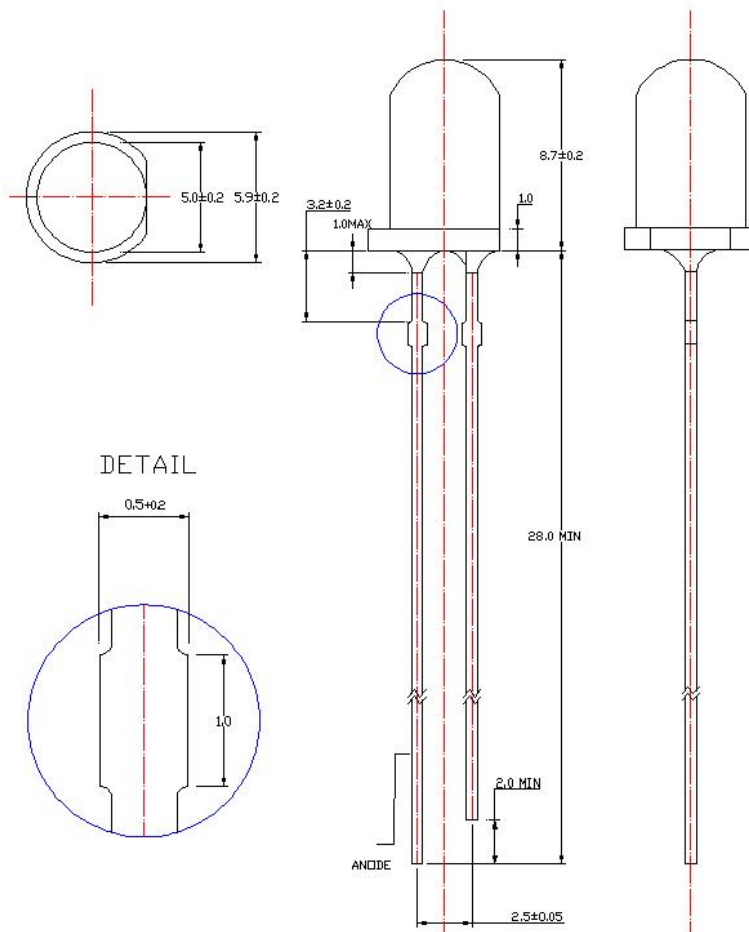
- 5mm round led lamp.
- AlGaInP/Si red LED.
- Water clear epoxy molding type.
- High reliability and long life.
- High luminous intensity.
- Pb free.



2. Applications

- Traffic Signal.
- Special Decorations.
- Plant glowing purpose.

3. Dimension



Unit : mm
Tolerance : ± 0.25

U-JINLED

Lighting Your Imagination

Head Office : 48-40, Gamnae-gil, Ilsandong-gu, Goyang-si, Gyeonggi-do, Korea
TEL : 031-932-8351~3 FAX : 031-932-8355 E-mail : info@ujin-led.co.kr
Overseas Factory : Plot#61, Sector#7 Export Processing Zone, Chittagong, Bangladesh
TEL : (880)31-74-0050 FAX : (880)31-74-0038

ULP-ALR37A-30UR12

4. Absolute Maximum Ratings (Ta=25°C)

| Parameter | Sym | Rating | Unit |
|-------------------|------|-------------|------|
| Forward Current | IF | 30 | mA |
| Reverse Voltage | VR | 5 | V |
| Power Dissipation | PD | 75 | mW |
| Operation Temp | Topg | -35 ~ + 85 | °C |
| Storage Temp | Tstg | -40 ~ + 100 | °C |

5. Optoelectronic characteristics (Ta=25°C)

| Parameter | Sym | Condition | Min | Typ | Max | Unit |
|-------------------|-----|-----------|-----|------|------|------|
| Forward Voltage | VF | IF = 20mA | | 2.10 | 2.50 | V |
| Reverse Current | IR | VR = 5V | | | 10 | μA |
| Peak wave length | λP | IF = 20mA | | 660 | | nm |
| Radiant Intensity | IE | IF = 20mA | | 3550 | | mcd |

6. Soldering Conditions (at 2mm distance from lead entry)

Soldering Temp ≤ 260°C

Soldering Time : 3 sec at location 2.0mm away from the base of the epoxy bulb.

7. Reliability test

(1) TEST ITEMS AND RESULTS

| Test Item | Test Conditions | Note | Number of Damaged |
|---|---|------------|-------------------|
| Steady State Operating Life | Ta = 25°C IF=20mA | 240hrs | 0/20 |
| Steady State Operating Life of Low Temperature | Ta=-35°C, IF=20mA | 240hrs | 0/20 |
| Steady State Operating Life of High Temperature | Ta=85°C, IF=10mA | 240hrs | 0/20 |
| Resistance to Soldering Heat | Tsld=260 ± 5°C, 10sec. 3mm from the base of the epoxy bulb | 1 time | 0/10 |
| Temperature Cycle | Ta = -40°C ~ 100°C (1 Cycle = 1hr) | 100 cycles | 0/20 |

U-JINLED

Lighting Your Imagination

Head Office : 48-40, Gamnae-gil, Ilsandong-gu, Goyang-si, Gyeonggi-do, Korea
 TEL : 031-932-8351~3 FAX : 031-932-8355 E-mail : info@ujin-led.co.kr
Overseas Factory : Plot#61, Sector#7 Export Processing Zone, Chittagong, Bangladesh
 TEL : (880)31-74-0050 FAX : (880)31-74-0038

ULP-ALR37A-30UR12

■ Typical Electro-Optical Characteristics Curve:

Fig 1. Forward Current vs. Forward Voltage

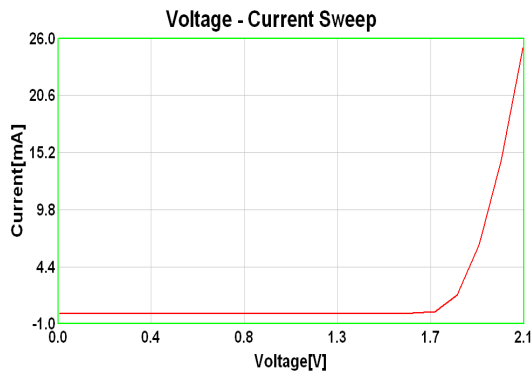


Fig 2. Relative Intensity vs. Forward Current

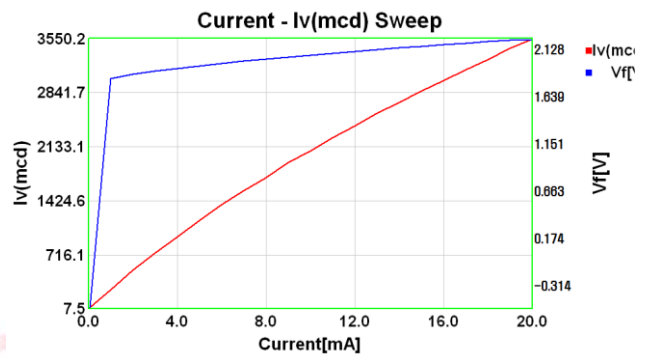


Fig 3. Relative Intensity vs. Wavelength

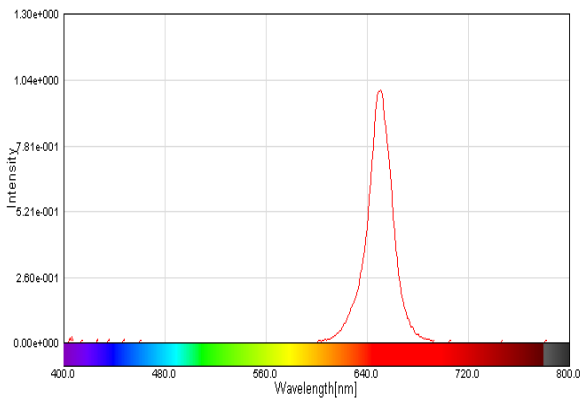


Fig 4. Forward current vs. Temperature

