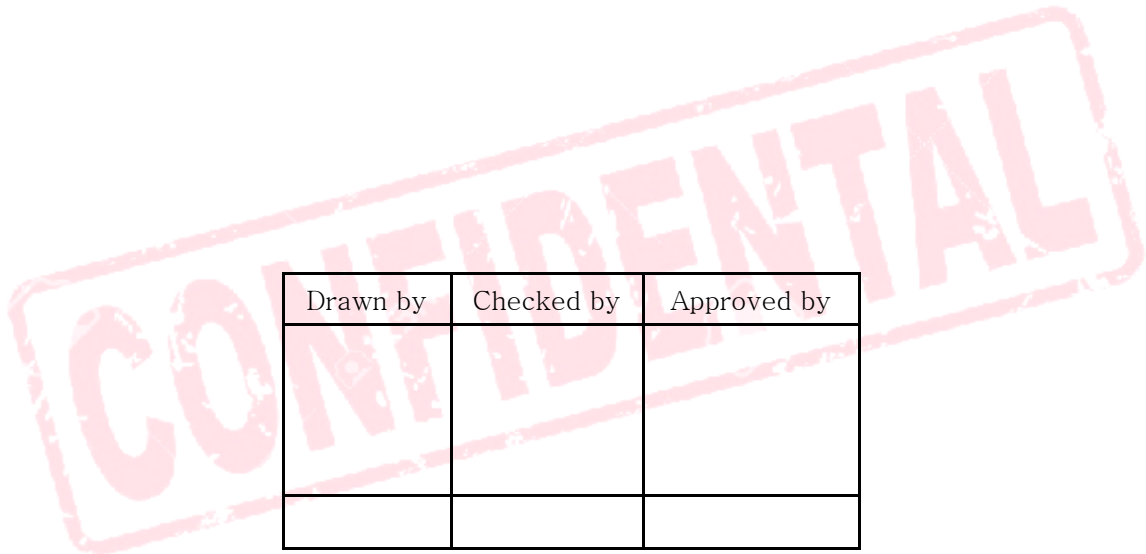


# LED LAMP SPECIFICATION



Drawn by	Checked by	Approved by

Rev. 0.0



**Head Office** : 48-40, Gamnae-gil, Ilsandong-gu, Goyang-si,  
Gyeonggi-do, Korea.

TEL : 031-932-8351~3. FAX : 031-932-8355

E-mail : info@ujin-led.co.kr

**Overseas Factory** : Plot#61, Sector#7 Export Processing Zone,  
Chittagong, Bangladesh.

TEL : (880)31-74-0050 FAX : (880)31-74-0038

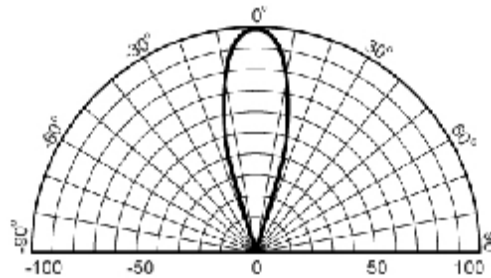


**Head Office** : 48-40, Gamnae-gil, Ilsandong-gu, Goyang-si, Gyeonggi-do, Korea  
TEL : 031-932-8351~3 FAX : 031-932-8355 E-mail : info@ujin-led.co.kr  
**Overseas Factory** : Plot#61, Sector#7 Export Processing Zone, Chittagong, Bangladesh  
TEL : (880)31-74-0050 FAX : (880)31-74-0038

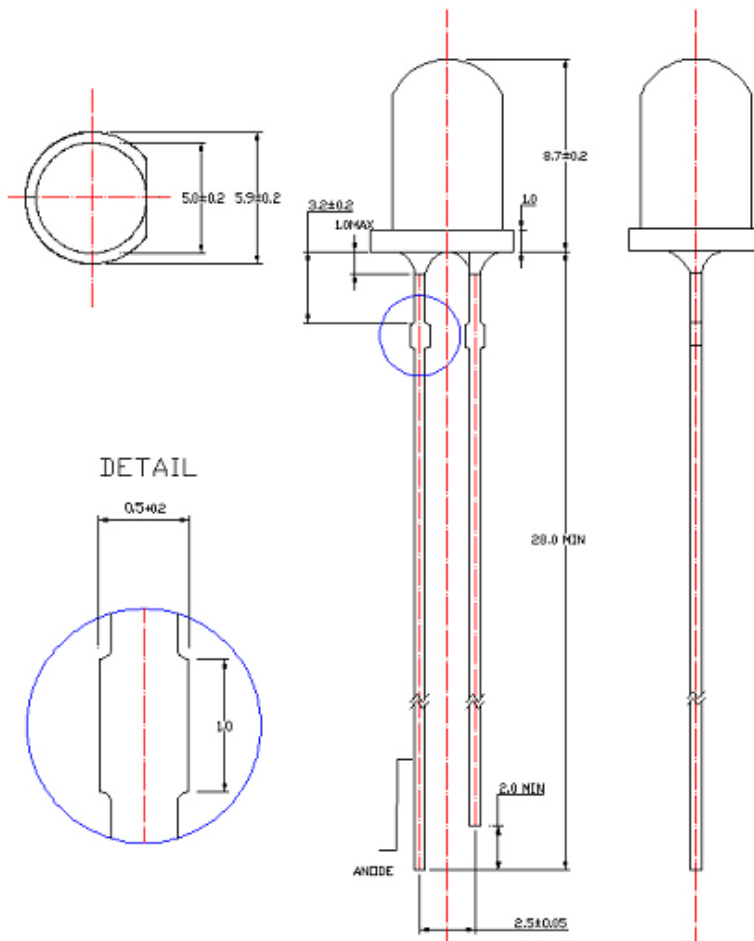
## ULP-RM36A-30BN

### 1. Features

- 5mm dia round top lamp.
- TS AlGaInP/GaP Super bright Red.
- Viewing angle 30°.
- Water clear epoxy-molding type.
- High reliability and long life.
- High luminous intensity.
- Pb free.



### 2. Dimension





**Head Office** : 48-40, Gamnae-gil, Ilsandong-gu, Goyang-si, Gyeonggi-do, Korea  
 TEL : 031-932-8351~3 FAX : 031-932-8355 E-mail : info@ujin-led.co.kr  
**Overseas Factory** : Plot#61, Sector#7 Export Processing Zone, Chittagong, Bangladesh  
 TEL : (880)31-74-0050 FAX : (880)31-74-0038

## ULP-RM36A-30BN

### 3. Absolute maximum ratings (Ta=25°C)

Parameter	Sym	Rating	Unit
Forward Current	IF	30	mA
Reverse Voltage	VR	5	V
Power Dissipation	PD	69	mW
Operation Temp	Topg	-35 ~ + 85	°C
Storage Temp	Tstg	-40 ~ +100	°C

Drive current between 10mA and 30mA are recommended for long term performance

### 4. Opto electric characteristics (Ta=25°C)

Parameter	Sym	Condition	Min	Typ	Max	Unit
Forward Voltage	VF	IF = 20mA	1.90		2.30	V
Reverse Current	IR	VR = 5V			10	μA
Dominant wave length	λD	"	620	625	630	nm
Spectra Width at Half Height		"		20		nm

### 5. Soldering conditions

Soldering Temp ≤ 260°C  
 Soldering Time : 5 sec at location 3.0mm away from the base of the epoxy bulb.

### 6. Specification of Bin Grading

Forward Voltage(Vf)			λd(nm)		Iv (mcd) @20mA		
Bin	Min	Max	Min	Max	Bin	Min	Typ
0	1.90	2.30	620	630	T	5500	8000



**Head Office** : 48-40, Gamnae-gil, Ilsandong-gu, Goyang-si, Gyeonggi-do, Korea  
 TEL : 031-932-8351~3 FAX : 031-932-8355 E-mail : info@ujin-led.co.kr  
**Overseas Factory** : Plot#61, Sector#7 Export Processing Zone, Chittagong, Bangladesh  
 TEL : (880)31-74-0050 FAX : (880)31-74-0038

## ULP- RM36A-30BN

### 7. Reliability

#### 1) Result of reliability Test

Test Item	Test Conditions	Note	Number of Damaged
Steady State Operating Life	Ta = 25°C IF=20mA	240hrs	0/100
Steady State Operating Life of Low Temperature	Ta=30°C, IF=20mA	240hrs	0/100
Steady State Operating Life of High Temperature	Ta=85°C, IF=10mA	240hrs	0/100
Steady State Operating Life of High Humidity Heat	60°C, RH=90% IF=15mA	240hrs	0/100
Resistance to Soldering Heat	Tsld=260 ± 5°C, 10sec. 3mm from the base of the epoxy bulb	1 time	0/100
Solder ability	Tsld=260 ± 5°C, 5sec. (using flux)	1 time Over 90%	0/100
Thermal Shock	0°C ~ 100°C 15sec. 15sec.	100 cycles	0/100
Temperature Cycle	40°C ~ 25°C ~ 100°C ~ 25°C 30min. 5min. 30min. 5min.	100 cycles	0/100
Moisture Resistance Cyclic	25°C ~ 65°C ~ 10°C 90%RH 24hrs / 1cycle	10 cycles	0/100
High Temperature Storage	Ta = 100°C,	240hrs	0/100
Temperature Humidity Storage	Ta = 60°C RH=90%	240hrs	0/100
Low Temperature Storage	Ta = -40°C	240hrs	0/100

#### 2) The reliability criteria of Lamp LED

Item	Symbol	Test Conditions	Criteria for Judgement.	
			Min.	Max.
Forward Voltage	VF	IF=20mA	-	U.S.L. *) X 1.1
Reverse Current	IR	VR=5V	-	U.S.L. *) X 2.0
Luminous Intensity	IV	IF=20mA	L.S.L.**)	X 0.7

\*) U.S.L. : Upper Standard Level

\*\*) L.S.L. : Lower Standard Level.



**Head Office** : 48-40, Gamnae-gil, Ilsandong-gu, Goyang-si, Gyeonggi-do, Korea  
 TEL : 031-932-8351~3 FAX : 031-932-8355 E-mail : info@ujin-led.co.kr  
**Overseas Factory** : Plot#61, Sector#7 Export Processing Zone, Chittagong, Bangladesh  
 TEL : (880)31-74-0050 FAX : (880)31-74-0038

## ULP-RM36A-30BN

### ■ Typical Electro-Optical Characteristics Curve:

Fig 1. Forward Current vs. Forward Voltage

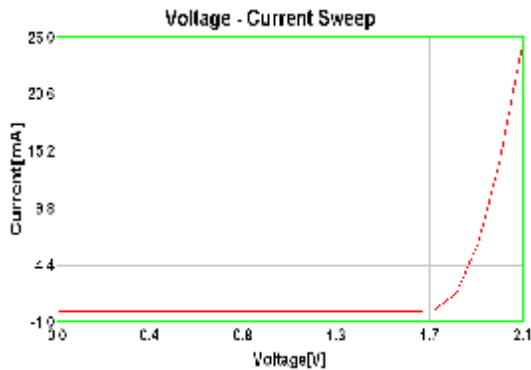


Fig 2. Relative Intensity vs. Forward Current

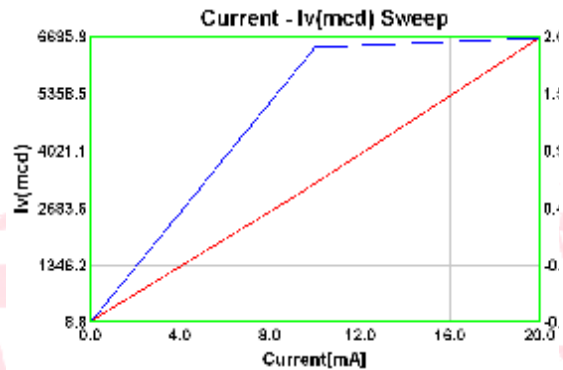


Fig 3. Relative Intensity vs. Wavelength

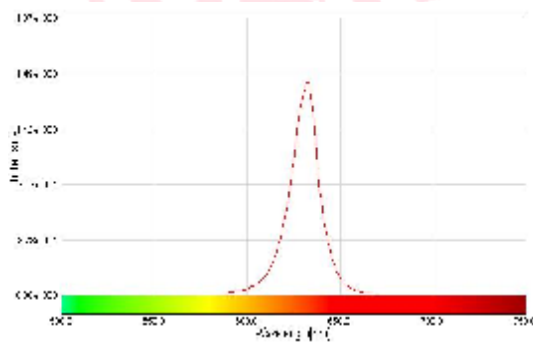


Fig 4. Forward Current vs. Temperature

