

# LED LAMP SPECIFICATION

Drawn by	Checked by	Approved by

Rev. 0.0



**Head Office** : 48-40, Gamnae-gil, Ilsandong-gu, Goyang-si,  
Gyeonggi-do, Korea.  
TEL : 031-932-8351~3. FAX : 031-932-8355  
E-mail : info@ujin-led.co.kr

**Overseas Factory** : Plot#61, Sector#7 Export Processing Zone,  
Chittagong, Bangladesh.  
TEL : (880)31-74-0050 FAX : (880)31-74-0038

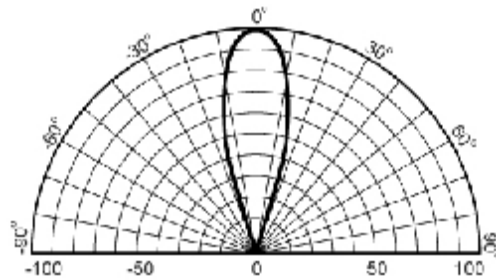


**Head Office** : 48-40, Gamnae-gil, Ilsandong-gu, Goyang-si, Gyeonggi-do, Korea  
 TEL : 031-932-8351~3 FAX : 031-932-8355 E-mail : info@ujin-led.co.kr  
**Overseas Factory** : Plot#61, Sector#7 Export Processing Zone, Chittagong, Bangladesh  
 TEL : (880)31-74-0050 FAX : (880)31-74-0038

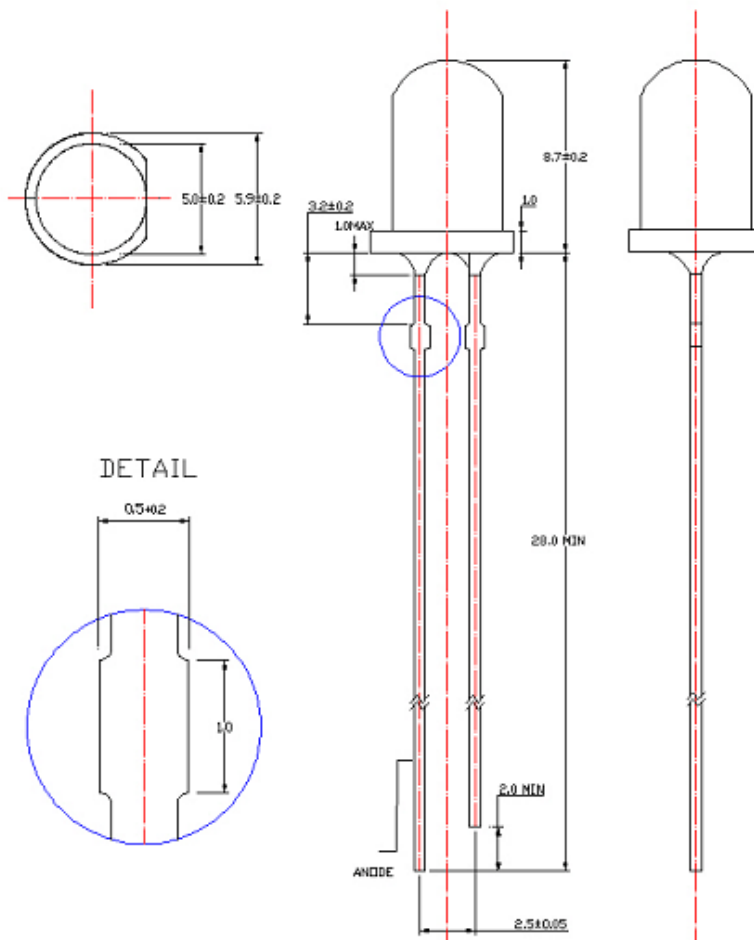
## ULP-YLP37A-30

### 1. Features

- 5.0mm dia round top lamp.
- AlGaInP Super power yellow.
- Viewing angle 30°.
- Water clear epoxy-molding type.
- High reliability and long life.
- High luminous intensity.
- Pb free.



### 2. Dimension



Unit :mm  
Tolerance : ± 0.25



**Head Office** : 48-40, Gamnae-gil, Ilsandong-gu, Goyang-si, Gyeonggi-do, Korea  
 TEL : 031-932-8351~3 FAX : 031-932-8355 E-mail : info@ujin-led.co.kr  
**Overseas Factory** : Plot#61, Sector#7 Export Processing Zone, Chittagong, Bangladesh  
 TEL : (880)31-74-0050 FAX : (880)31-74-0038

## ULP-YLP37A-30

### 3. Absolute Maximum Ratings (Ta=25°C)

Parameter	Sym	Rating	Unit
Max Forward Current	IF	30	mA
Reverse Voltage	VR	5	V
Power Dissipation	Pd	75	mW
Operation Temp	Topg	-35 ~ + 85	°C
Storage Temp	Tstg	-40 ~ +100	°C

### 4. Optoelectronic characteristics (Ta=25°C)

Parameter	Sym	Condition	Min	Typ	Max	Unit
Forward Voltage	VF	IF = 20mA		2.10	2.50	V
Reverse Current	IR	VR = 5V			10	μA
Peak wave length	λp	"	590		595	nm
Luminous Intensity	L	IF = 20mA	4000		9000	mcd

### 5. Soldering Conditions

Soldering Temp ≤ 260°C  
 Soldering Time : 5 sec at location 3.0mm away from the base of the epoxy bulb.

### 6. Reliability Test

Test Item	Test Conditions	Note	Number of Damaged
Steady State Operating Life	Ta = 25°C IF=20mA	1000hrs	0/20
Steady State Operating Life of Low Temperature	Ta=-35°C, IF=20mA	240hrs	0/20
Steady State Operating Life of High Temperature	Ta=85°C, IF=20mA	240hrs	0/20
Resistance to soldering Heat	Tsld=260 ± 5°C, 10sec. 3mm from the base of the epoxy bulb	1 time	0/10
Temperature Cycle	Ta = -40°C ~ 100°C (1 Cycle = 1hr)	100 cycles	0/20



**Head Office** : 48-40, Gamnae-gil, Ilsandong-gu, Goyang-si, Gyeonggi-do, Korea  
 TEL : 031-932-8351~3 FAX : 031-932-8355 E-mail : info@ujin-led.co.kr  
**Overseas Factory** : Plot#61, Sector#7 Export Processing Zone, Chittagong, Bangladesh  
 TEL : (880)31-74-0050 FAX : (880)31-74-0038

## ULP-YLP37A-30

### ■ Typical Electro-Optical Characteristics Curve:

Fig 1. Forward Current vs. Forward Voltage

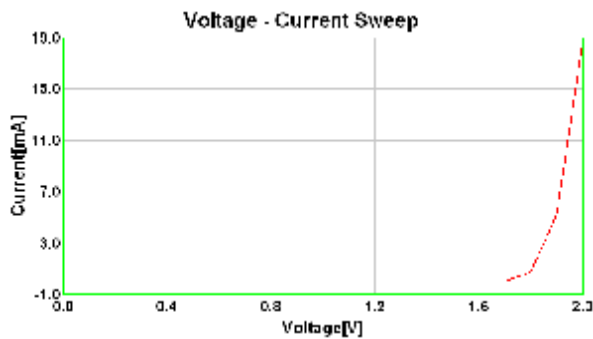


Fig 2. Relative Intensity vs. Forward Current

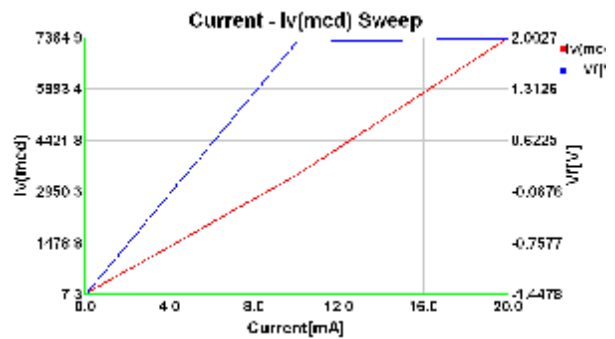


Fig 5. Relative Intensity vs. Wavelength

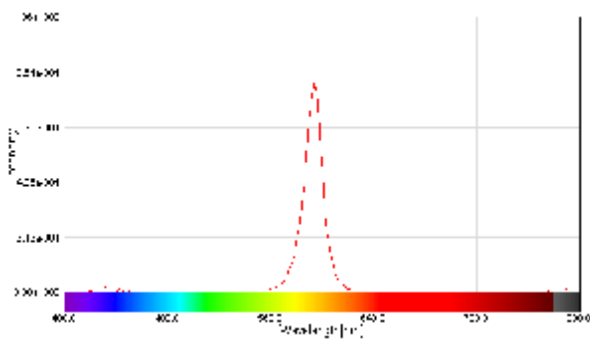


Fig 4. Forward Current vs. Temperature

