

Super Flux LED Specification

CONFIDENTIAL

Drawn by	Checked by	Approved by

Rev. 0.0

U-JINLED
Lighting Your Imagination

Head Office : 48-40, Gamnae-gil, Ilsandong-gu, Goyang-si,
Gyeonggi-do, Korea.

TEL : 031-932-8351~3. FAX : 031-932-8355

E-mail : info@ujin-led.co.kr

Overseas Factory : Plot#61, Sector#7 Export Processing Zone,
Chittagong, Bangladesh.

TEL : (880)31-74-0050 FAX : (880)31-74-0038

U-JINLED

Lighting Your Imagination

Head Office : 48-40, Gamnae-gil, Ilsandong-gu, Goyang-si, Gyeonggi-do, Korea
 TEL : 031-932-8351~3 FAX : 031-932-8355 E-mail : info@ujin-led.co.kr
Overseas Factory : Plot#61, Sector#7 Export Processing Zone, Chittagong, Bangladesh
 TEL : (880)31-74-0050 FAX : (880)31-74-0038

Red Super Flux LEDs ULSF-HHR135-T

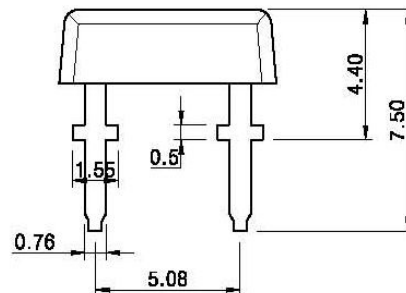
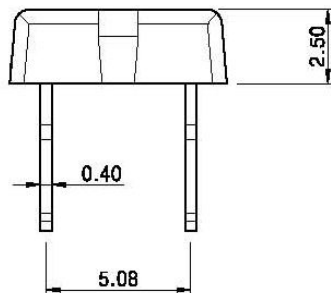
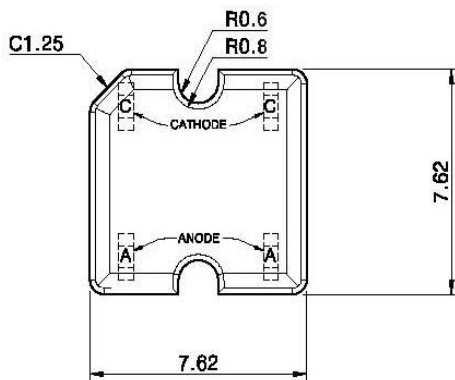
1. Features

- ▶ High Flux Output
- ▶ Fluorescence type & High reliability
- ▶ Designed for High Current Operation

2. Applications

- ▶ Replacement of Conventional Light Bulbs & Lamps
- ▶ Automotive interior Lightning
- ▶ Electronic Signs and Signals
- ▶ Backlight of LCD.

■ Outline Dimensions



Notes :

1. All dimensions are in millimeters.
2. Tolerance is ± 0.25 unless otherwise noted.

U-JINLED

Lighting Your Imagination

Head Office : 48-40, Gamnae-gil, Ilsandong-gu, Goyang-si, Gyeonggi-do, Korea
TEL : 031-932-8351~3 FAX : 031-932-8355 E-mail : info@ujin-led.co.kr
Overseas Factory : Plot#61, Sector#7 Export Processing Zone, Chittagong, Bangladesh
TEL : (880)31-74-0050 FAX : (880)31-74-0038

Red Super Flux LEDs **ULSF-HHR135-T**

3. Absolute Maximum Ratings at $T_a=25^{\circ}\text{C}$

Parameter	Ratings	Unit
Power dissipation	120	mW
DC Forward Current	30	mA
Reverse Voltage	5	V
Operating/Storage Temperature	-20°C to 80°C / -30°C to 100°C	$^{\circ}\text{C}$
Lead Soldering Temperature	260 $^{\circ}\text{C}$ for 3 Seconds	

4. Electro-Optical characteristics :

Part No.	Material	Emission Color	Iv (mcd) @20mA		Viewing Angle
			Min	Typ	
ULSF-H5R113	TS AlGaInP/GaP	Red orange	350	450	130

Parameter	Symbol	Condition	Min	Typ	Max	Unit
Forward Voltage	Vf	If = 20mA		2.2	2.4	V
Reverse voltage	Vr	Vr = 5V		-	10	V
Dominant wavelength	λ_d	If = 20mA	625		635	
Spectral Width at Half Height		If = 20mA	-	20	-	nm

U-JINLED

Lighting Your Imagination

Head Office : 48-40, Gamnae-gil, Ilsandong-gu, Goyang-si, Gyeonggi-do, Korea
 TEL : 031-932-8351~3 FAX : 031-932-8355 E-mail : info@ujin-led.co.kr
Overseas Factory : Plot#61, Sector#7 Export Processing Zone, Chittagong, Bangladesh
 TEL : (880)31-74-0050 FAX : (880)31-74-0038

Red Super Flux LEDs **ULSF-HHR135-T**

Typical Electro-Optical Characteristics Curve:

Fig 1. Forward Current vs. Forward Voltage

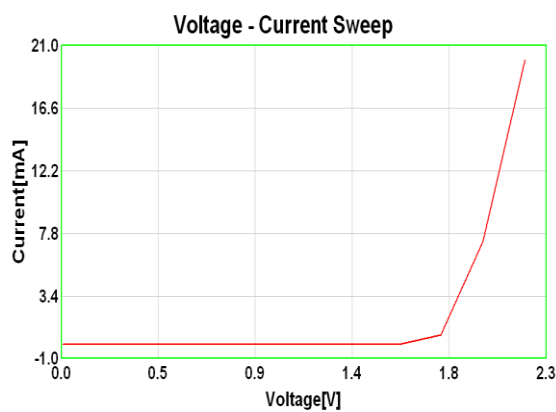


Fig 2. Relative Intensity vs. Forward Current

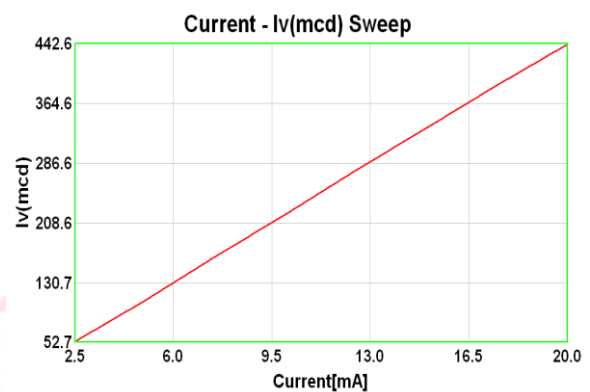


Fig 3. Relative Intensity vs. Temperature

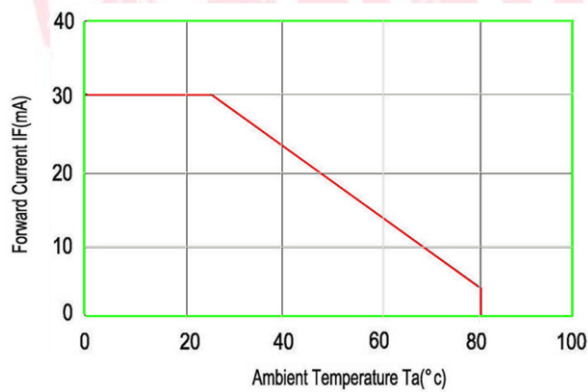


Fig 4. Relative Intensity vs. Wavelength

